

SAFE-T-RIP®

CE Conformity

Conveyor Belt Tear Detector



Galvanized Pig Tail, Polypropylene Rope Grips, PVC Coated Stainless Steel Wire Rope and Stainless Steel Turnbuckle included as standard.

(Stainless Steel Pig Tail Available.)



Made in Western Australia

The **SAFE-T-RIP** heavy duty Belt Rip Detector is magnetically or mechanically operated, utilising the inherent reliability of Reed Switches or Micro Switches. The Reed Switches are encapsulated in a robust, non metallic enclosure.

Various trip tensions can be achieved by simple external adjustment.

An external santoprene rubber boot assists in excluding dust and dirt from the plug and magnetic socket assembly.

FEATURES

UV stable, flame retardant (V0 rated) PBT/PC non corrosive enclosure to IP67.

All external fixings etc. are 316 Stainless Steel. Dust boot on socket assembly.

Socket can be mounted on either side, top or rear of enclosure. (as per Cat No.)

Two x 20mm stainless steel armoured cable glands available.

Two 20mm conduit entries.

Label attachment lug on lid.

Switches pre-wired to terminals.

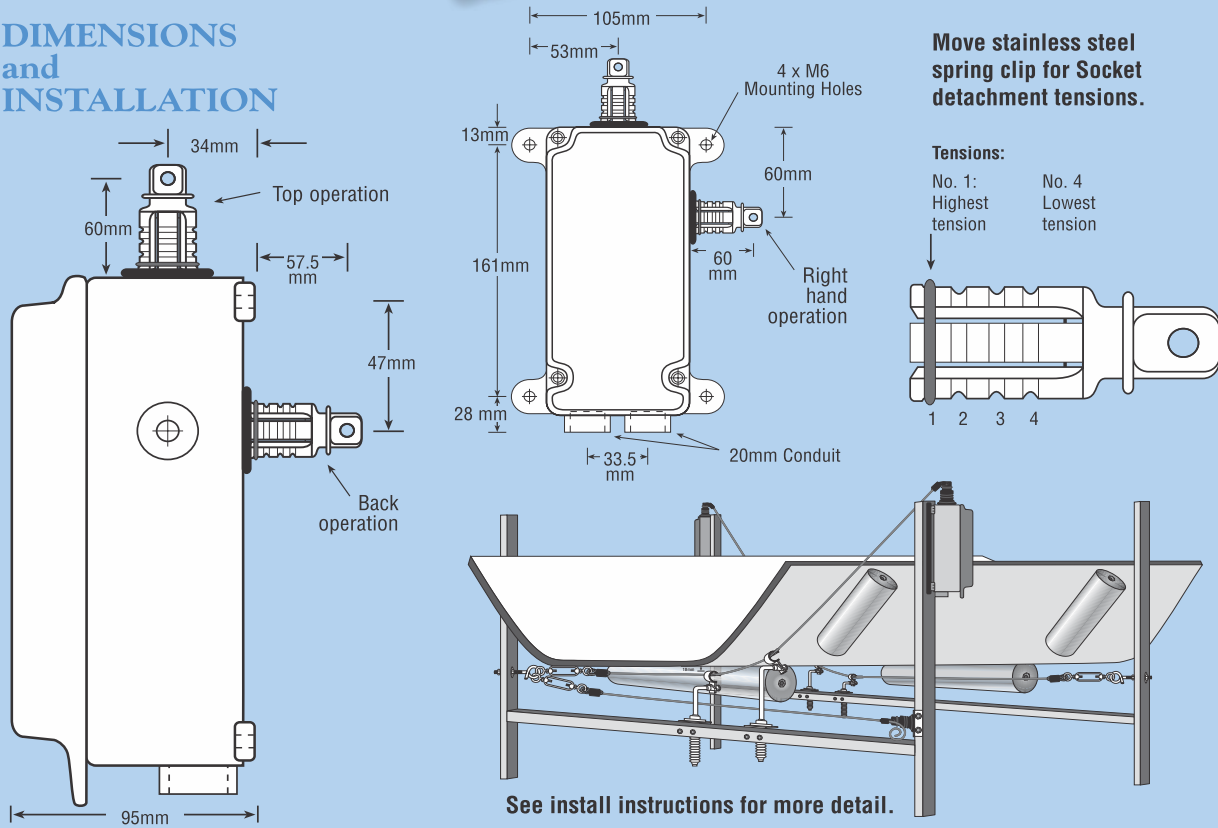
CONVEYOR BELT TEAR DETECTOR

Head Office - 08 8723 3333 Adelaide - 08 8251 3204

www.seconveyors.com.au

South East CONVEYORS & ENGINEERING

DIMENSIONS and INSTALLATION



ORDERING DETAILS and ELECTRICAL DATA

CAT No.	Switch Device	Contact Configuration	Switched Power	Switched Voltage Max.	Switched Current Resistive AC (IMS) Max.	Inductive Loads (Power Factor 0.4)	Typical Application
STR-P1	Dry Reed Switch	S.P.S.T.	12w	230V AC 230V DC	1A	Not suitable	PLC & Control Circuits
STR-P2	Dry Reed Switch	S.P.D.T.	5w	175V AC 175V DC	0.25	Not suitable	PLC & Control Circuits
STR-P3	Dry Reed Switch	2 x S.P.D.T.	5w	175V AC 175V DC	0.25	Not suitable	PLC & Control Circuits
STR-P 4	Micro Switch	1 x S.P.D.T.	N/A	250V AC 250V DC	15A	10A at 250V AC 03.A at 250V DC	General AC or DC Control Circuits
STR-P5	Micro Switch	2 x S.P.D.T.	N/A	250V AC 250V DC	15A	10A at 250V AC 03.A at 250V DC	General AC or DC Control Circuits
STR-P6	Micro Switch	3 x S.P.D.T.	N/A	250V AC 250V DC	15A	10A at 250V AC 03.A at 250V DC	General AC or DC Control Circuits

Socket Positions

Add to CAT No.

- RH Right hand operation
- LH Left hand operation
- BK Back operation
- TP Top end operation

Example: STR-P-1 -RH

Variations

Add to CAT No.

- Stainless steel armoured cable entry glands 2 x M20 -ACGS
- Tunnel rail mount terminals -K

Example: STR-P-1-RH -K

Enclosure Specifications

High Impact PBT/PC Non Corrosive Material
 UV Stable (See Valox Specs Sheet)
 Flame Retardant ASTM:UL94-V0 (1.6mm) Resist Splash and Spillage of Most Hydrocarbon Solvents, Mild Acids and Strong Alkali.
 (See Valox Specs Sheet)

SPARES: Socket, 3 metres of Wire Rope and 2 x Rope Grips.....Part No. STR - SOC
 For Extra Rope Length, Add Meters e.g.. STR-SOC-4 (4m of Wire)

CONVEYOR BELT TEAR DETECTOR

Head Office - 08 8723 3333 Adelaide - 08 8251 3204

www.seconveyors.com.au